

Bergmann Dumper

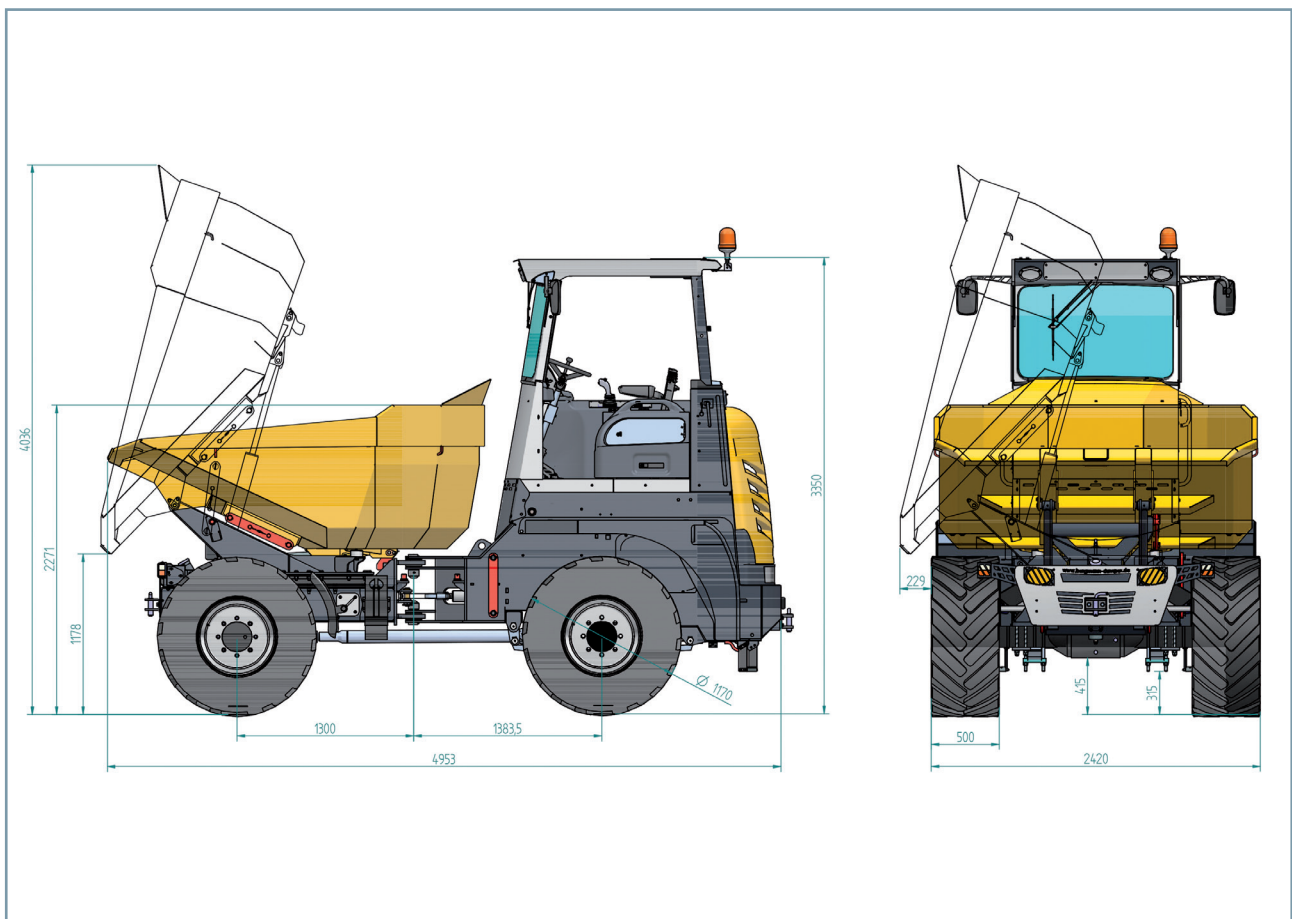
2090 R_{PLUS}



Wheel dumper | open
Swivel Tip



- High stability thanks to oscillating axle
- Instrument board lowerable and lockable
- Hydraulic park brake
- Type test approval by TBG



BERGMANN

2090 R_{PLUS} Technical Data



Wheel dumper | open
Swivel Tip

Weight/Bucket Capacity

payload	9.000 kg
empty weight	6.200 kg
loading capacity struck	3,6 m ³
loading capacity heaped	4,6 m ³
bucket system	hydraulically swivelling and tipping bucket by 180°

Dimensions

clearance height	3.350 mm
tipping height	1.178 mm
loading height (front)	1.970 mm
total length	4.953 mm
total width	2.420 mm
ground clearance	315 mm

Transmission

hydrostatic 4-wheel-drive with automotive control	
speed I	9 km/h
speed II	28 km/h

Steering

hydraulic articulated steering acting over priority flow
steering angel: 30° left and right

Axles/Brakes

front axle rigid, suspended rear axle, maintenance-free-oil-bath multi-disc brake with automatic adjustment in the front axle, hydraulically applied locking brake acting over articulated shaft on front and rear axle

Engine

4 cylinder Cummins diesel engine – water cooled –
power 75 kW with 2.200 rpm
emission stage IIIB/Tier IV

Tires

standard, all tires 500/60 R20

Tank Capacity

fuel	75 L
hydraulic oil	45 L

Electrics

12 V electric installation with main switch, control panel for engine water temperature, fuel and service hour meter, control lamps for engine oil; park brake, direction indicator, battery charging control, hydraulic filter, display for drive position

Standard Equipment

hydro sprung seat adjustable and collapsible, instrument panel lowerable and lockable ignition key, tow-bar coupling, lighting system according to German traffic regulations, bucket from abrasion-proof fine-grain steel, CE declaration of conformity, operator's manual/spare parts list